

Name \_\_\_\_\_

--	--	--	--	--	--

Date \_\_\_\_\_

**Notes: Weather Variables**

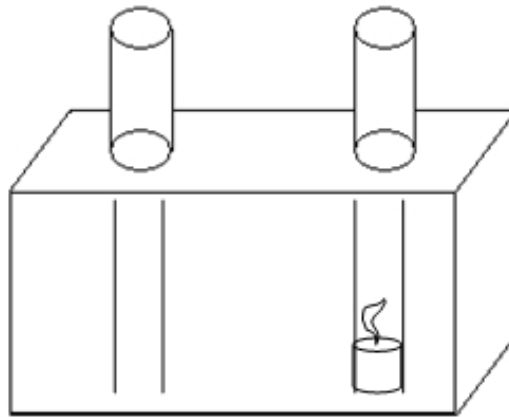
**Air Pressure and Wind**

These are the two factors that affect air pressure: \_\_\_\_\_

This is why air pressure falls and temperature increases: \_\_\_\_\_

This is why air pressure falls as the amount of water vapor (dew Point) increases: \_\_\_\_\_

Wind Demo



Air pushes down with a greater pressure here

According to the diagram wind blows in this manner: \_\_\_\_\_

Example:



Specific Heat: \_\_\_\_\_

Specific heat of water: \_\_\_\_\_

Specific heat of rock: \_\_\_\_\_

Which will heat up faster? \_\_\_\_\_

Wind Circulation: According to P. \_\_\_\_\_ of the ESRT winds bend to the \_\_\_\_\_ in the N. Hemisphere.

**H**

**L**

These are some questions I have about this lesson:

---

---

---

---